

THE LINES OF TABLETOP MIRRORS WITH LIGHTS

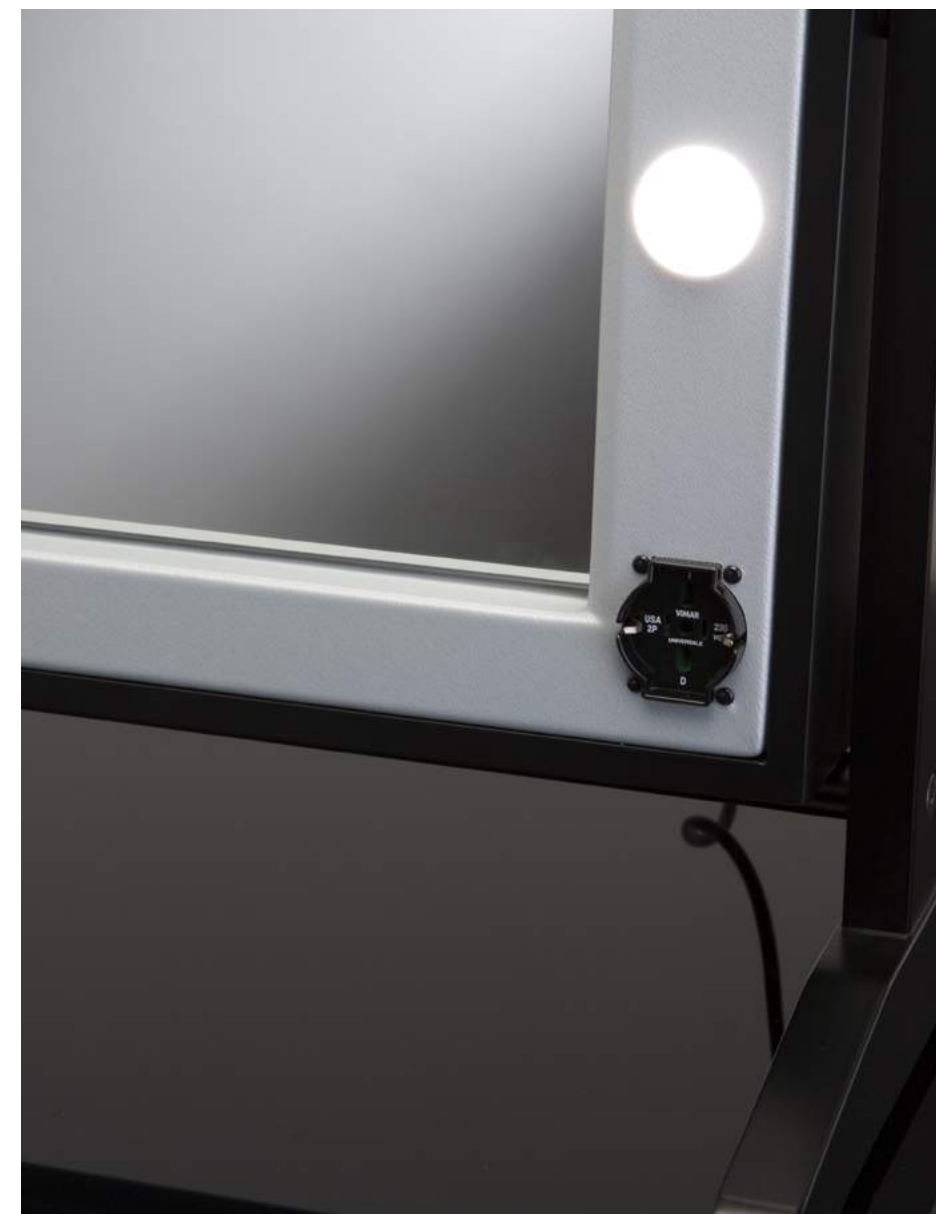
The lit-up table make-up mirrors by Cantoni come from the reinterpretation of a classic object: craftsmanship and cutting-edge lighting technology, innovative materials such as methacrylate and traditional materials like wood contribute to the creation of elegant, functional mirrors featuring a lighting system ideal for professional make-up. Born to decorate beauty spaces, the table mirrors by Cantoni are perfect to set up the training rooms of schools and academies for professional make-up artists.

Make-up mirrors with table lamps are available in LTV, MDT and MW lines.



**CLASSIC**  
*Dried beech wood, textured paint, non-toxic coating*

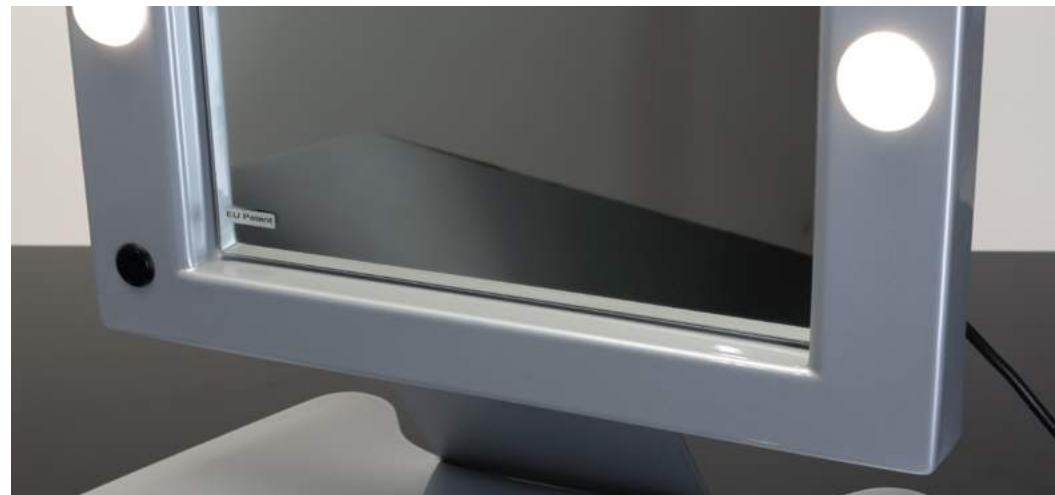
**MODERN**  
*Elegant polished methacrylate*



## MW01T - The 6-light table top mirror in polished methacrylate



*Sturdy base with rounded corners*



*I-light lighting professional system with 6 light spots adjustable in brightness*

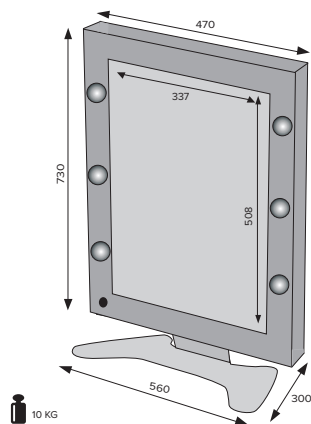
Lighted mirror in polished methacrylate with I-light system, 6 light spots, specifically designed for make-up and face skin care.

Light with adjustable intensity.

Compact in size, it is ideal for creating visual impact make-up corners.

- ◆ **Power** button/back light adjustment
- ◆ **6 I-light** lamps adjustable in brightness
- ◆ 110V/240V compatible

### Technical Details



All products by Cantoni are made in Italy with carefully selected materials.  
Each product is the result of a careful study to ensure the best balance between aesthetics and technology.  
The authenticity of each piece by Cantoni is ensured by our trademark.

We are always available to respond to every request and question about products.  
Our technical department is then available for custom projects

PLEASE NOTE:  
Cantoni reserves the right to modify at any time the items in the catalogue for technical or commercial purposes.  
Shipments are made from our offices in San Marino



#### CANTONI TRADING SRL

##### ***Headquarters***

Via Guardia di Rocca 10 - 47899 Galazzano - Rep. San Marino

##### ***Registered Office e Showroom***

Strada degli Angariari 25 - 47891 Rovereta - Rep. San Marino

Tel. (+378) 0549 977527 - Fax (+378) 0549 876501

[sales@cantonionline.com](mailto:sales@cantonionline.com)

[www.cantonionline.com](http://www.cantonionline.com)

[www.cantonishop.com](http://www.cantonishop.com)