

## MAKE-UP CORNER LINE

Complete make-up stations by Cantoni, characterized by simple line and materials of the highest quality create functional and magnetic make-up corners. They are designed to offer turnkey solutions in situations requiring to set up a professional area, dedicated to beauty treatments, in an easy and impeccable way.

Soft and enveloping light emitted by the mirror mounted I-light points makes unforgettable these lighted make-up stations.

Possibility of customizing corners with minimum order quantities

## FIXED MAKE-UP STATIONS



TABLE IN WENGE STAINED ASH WOOD WITH FRONT DRAWER



TABLE IN WHITENED ASH WITH FRONT DRAWER



## LPH - The make-up console



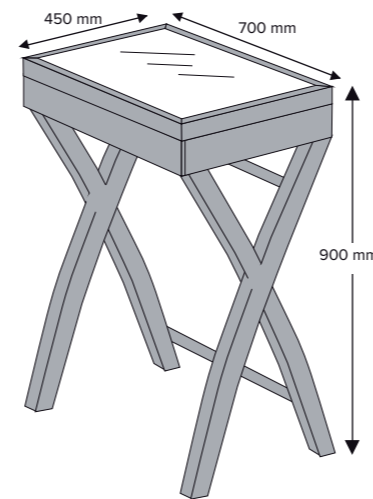
Made of whitened ash with front drawer Glass printed top



Wenge' stained ash with front drawer Glass printed top

Ash wood console table with glass top and high resolution photographic print: front drawer with rear block. Refined and simple lines, it is available in bleached or wenge' stained ash. Result of craftsmanship and exclusively manufactured upon request with timber whose origin is certified, LPC creates an amazing make-up station in combination with illuminated make-up mirrors of the MDE line and make-up chairs by Cantoni (see image on page 61).

The glass printed **image** shown in the picture is just for illustrative purposes and can be **customized** according to customer preferences.



Technical Details

In combination with the **MDE505** mirror with 12 I-light lights and the **S105 chair**, this console table is a complete beauty station, with a perfect light system.

Functional design station is ideal for professional and commercial spaces.



All products by Cantoni are made in Italy with carefully selected materials.  
Each product is the result of a careful study to ensure the best balance between aesthetics and technology.  
The authenticity of each piece by Cantoni is ensured by our trademark.

We are always available to respond to every request and question about products.  
Our technical department is then available for custom projects

PLEASE NOTE:  
Cantoni reserves the right to modify at any time the items in the catalogue for technical or commercial purposes.  
Shipments are made from our offices in San Marino



#### CANTONI TRADING SRL

##### ***Headquarters***

Via Guardia di Rocca 10 - 47899 Galazzano - Rep. San Marino

##### ***Registered Office e Showroom***

Strada degli Angariari 25 - 47891 Rovereta - Rep. San Marino

Tel. (+378) 0549 977527 - Fax (+378) 0549 876501

[sales@cantonionline.com](mailto:sales@cantonionline.com)

[www.cantonionline.com](http://www.cantonionline.com)

[www.cantonishop.com](http://www.cantonishop.com)